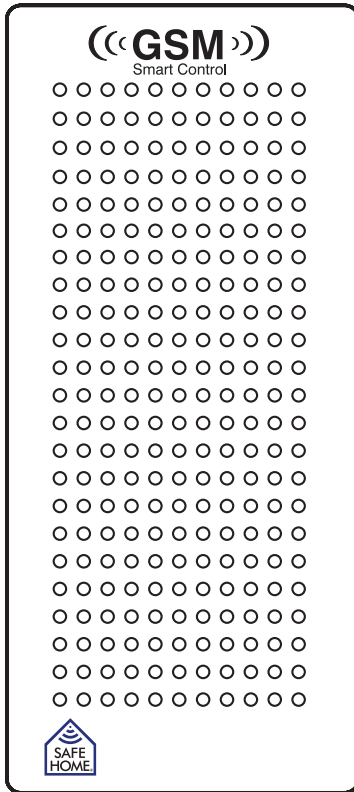


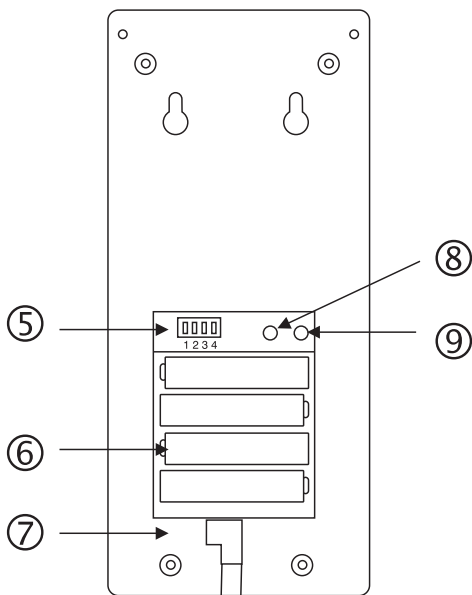
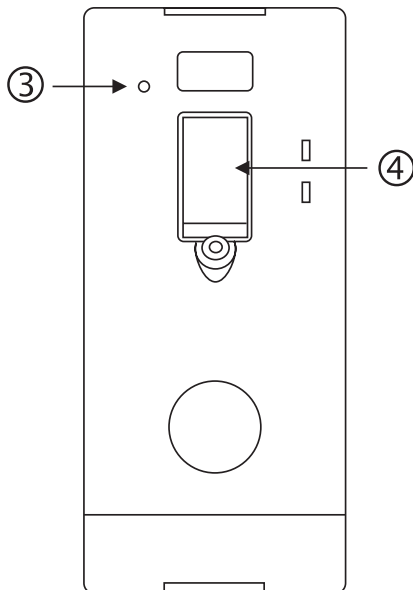
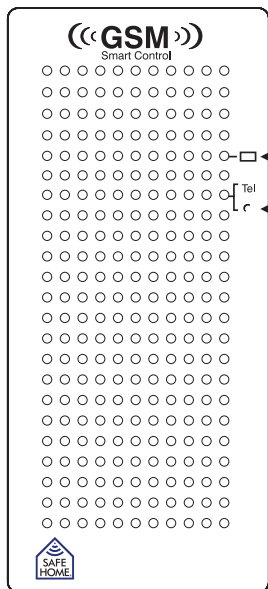


Wireless AutoDialer/Control

Accessories for SafeHome Alarm Kit



Product



1. Battery LED
2. Signal/Connection LED
3. Microphone
4. SIM Card Compartment
5. House Code
6. Battery Compartment
4 X AA Alkaline Batteries
7. DC Power Jack
8. REC/PLAY Button
9. Reset Button

Table of Content

1. Introduction	3
2. Choosing a Location	3
3. Installation	4
3.1 First time installation:	4
3.2 Enrolling GSM Dialer with the Smart Panel	5
3.3. Voice messages	6
4. Factory settings reset	6
5. Setting up your GSM Dialer using Smart Phone Application (App)	6
6. Controlling your system using Smart Phone Application (App)	7
System control page	7
Inquire page	7
Activation of the Alarm	7
7. Controlling your system using handheld devices via SMS	8
8. General Maintenance	9
9. General information	9
10. Q & A	9
11. Troubleshooting	10
Disclaimer	10

1. Introduction

The GSM Wireless Autodialer/Control works just like a security system keypad allowing you to access and operate your system remotely from anywhere in the world when using your Smartphone or other compatible wireless handheld devices. It's never been easier to stay in the know and stay in control.

- Alert up to 8 specific individuals using GSM network to manage the system
- Listen to immediate vicinity using built in microphone
- Activate, deactivate or home security system from afar
- Applicable for universal 850/900/1800/1900Mhz GSM frequency

2. Choosing a Location

To ensure that installation proceeds smoothly please select a suitable location. This location would ideally be close to a mains power outlet, that is accessible to the user and yet not accessible to unauthorized personnel.

- Fasten the device on a smooth, dry and secure foundation. Ensure that a clear GSM signal reception is present at the point of installation prior to assembly.
- Avoid locations near extreme temperature sources (radiators, ovens, stoves) and large metal objects that could interfere with radio signals.

3. Installation

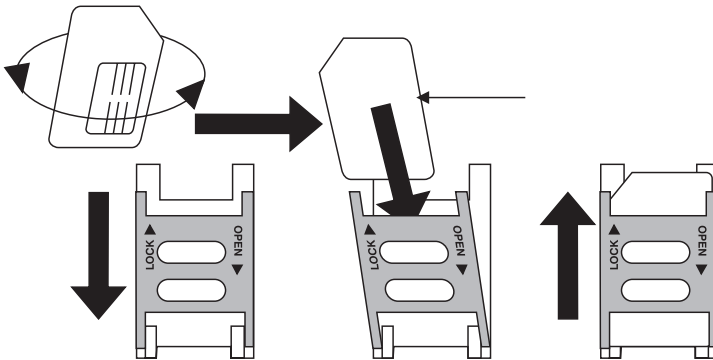
You will need the following devices to complete the set up:

- 1 x GSM Wireless Autodialer/Control
- 1 x AC Adaptor
- 2 x series of screws

Smart Panel does not come with this kit. You may contact the local SafeHome outlet to purchase the full security kit)

3.1 First time installation:

- a. Remove the front cover of the GSM Dialer. This is easiest done by unhooking the cover in the bottom of the unit.
- b. Push the SIM card holder backwards as illustrated and then unfold the slot forwards.
- c. Insert the SIM card. Push the SIM card holder back again upwards.



- d. Replace and secure both covers.
- e. Insert batteries ensuring that they are correctly oriented and connect the AC adaptor.
- f. The Battery LED (1) and Signal LED lights (2) will light up.
- g. After a while they will both go out indicating that the GSM Dialer has connected with the GSM network. The signal LED light will light up every 10 seconds to indicate the GSM Dialer is linked to the GSM network.
- h. Enroll GSM Dialer with a Smart Panel. Please refer to section 3.2 for enrolling the GSM Dialer into a Smart Panel.
- i. Replace and secure cover for the battery compartment.
- j. Mount at intended location.


3.2 Enrolling GSM Dialer with the Smart Panel

In order to use the GSM Dialer with the Smart Panel you will need to enroll the components. This will allow the Smart Panel to recognize and interact with the GSM Dialer. The enrolling procedure must be completed in order for the GSM Dialer to work properly. If the procedure is not completed then the GSM Dialer will not respond to system input.

IMPORTANT:

In most cases the factory settings of the House security Code will NOT need to be changed. However if the Smart Panel and sensors activate intermittently or are unresponsive this may be due to interference with other radio frequency systems. You may wish to change the house codes ensuring that they are identically arranged in both the Smart panel and GSM Dialer.

There are 4 jumpers/dip-switches on each device. They can be found when you remove the battery compartment cover. When the jumpers are present the circuit is 'ON'. If absent the circuit is 'OFF'. Ensure that these settings are identical if you need to make modifications to the panel, sensors and any remote control device.

Jumpers for House Security Code		Default code: 1: ON, 2: ON, 3: ON, 4:ON Jumper: ON= Pushed in, OFF= Pulled out
---------------------------------	---	--

Enroll the GSM Dialer by following this procedure:

- Enter the 4 digit pin on the Smart Panel and press the SETTING button and '2' (Enrollment mode).
- Simultaneously hold down the RECORD and RESET button on the back of the GSM Dialer for two seconds
- Several beeps from the Smart Panel will indicate that the enrollment is successful
- Press ENTER on the Smart Panel to exit the enrollment mode



3.3. Voice messages

The user is able to pre-record a voice message up to 20 seconds long. The device has an integrated microphone and loudspeaker for recording and playing voice messages. Messages should be recorded so that they reflect the circumstances and provides key details.

IMPORTANT:

We recommend adding a note at the end of the message to remind the owner of the system to disarm the system by app or SMS. Otherwise, the next programmed telephone number is dialed until the dialing cycle is finished. After the last number has been dialed, the GSM Dialer will proceed to call the first recipient and proceed as before.

The GSM Dialer houses a sensitive microphone. This allows the user to record a short message intended for specific individuals or the emergency services.

To record a message:

- Hold (RECORD/PLAY) left button on the rear until BATTERY LED is continuously lit.
- Release (RECORD/PLAY) button.
- Speak into the microphone for up to 20 seconds.
- Press the (RECORD/PLAY) button to cut the recording if less than 20 seconds.
- Press the same (RECORD/PLAY) button for playback.

4. Factory settings reset

In order to ensure that all existing settings are deleted, a factory settings reset is recommended after a new installation.

Press and hold the "RESET" button for 5 seconds. It will restore the factory default settings.

5. Setting up your GSM Dialer using Smart Phone Application (App)

Use of the Smart Phone allows the user a convenient and readily accessible means to remotely interact with their SafeHome Security system across long distances. Search for 'SafeHome' to find the app on your Apple® App store or Android® Google Play to download the app to your iPhone, or other applicable device.

After installation of the application (App.) you will need to set it up as follows:

- a.) On the first time after installation determine your personalized 4-digit PIN and key this in. This PIN is to protect unauthorized personnel from accessing this application.
- b.) Re-enter your personalized 4-digit PIN to access this app.
- d.) Go to the setup page.
- e.) Select the premises which you would like to set up.
You can manage up to 3 premises.
- e) Country - Select which country the system is installed in.
- f) GSM Phone - Enter the phone number of the SIM card in the GSM Dialer.
- g) GSM password – input the GSM Dialer security PIN. You must enter the default PIN "1234" on the first time you access this device. An "edit" button will appear after you have set your password. Press the "edit" button and enter a personalized 4 digit PIN.

- h) Program the telephone numbers that you wish the GSM Dialer to call when your system is triggered. The GSM Dialer can call up to 8 phone numbers.
- i) Finally, select dialing cycles. This ranges from 1 to 9 cycles, the default cycle being 3. This is the number of times you would like your GSM Dialer to attempt to call each phone number.
- J) After you confirmed the above setup information by pressing this button, you will receive a confirmation text message on the above settings from your GSM Dialer in a few seconds.
- K) You will now be able to manage settings using the smart phone

*All authorized users must be using the same security password after this has been initially set. If you forget this, hold RESET to restore the GSM Dialer into its default. If multiple Smart phones are being used the most recent one to change the settings will have their programming entered into the system.

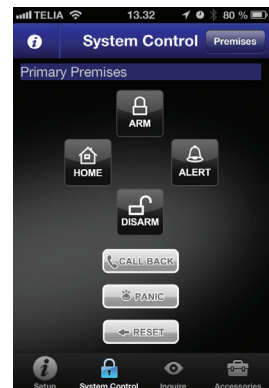
6. Controlling your system using Smart Phone Application (App)

System control page

Every instruction is sent via a text message. A text message acknowledgement corresponding to every instruction will be sent in response. For a detailed description of the keys press 'i'.

Inquire page

- You can check the settings of your GSM Dialer and ensure that everything is in order by pressing CHECK SETUP on the INQUIRE page. A text message response will list telephone numbers, dialing cycles as well as the power status of any associated Smart Panel.
- After every CHECK SETUP command the associated device will enter HOME mode which allows for a combination of ARM and ALERT pre-assigned zones. You may need to send a command for the desired operating mode of your system after the inquiry.



Activation of the Alarm

If a sensor is triggered or main power is cut, the #1 user will receive a notification by SMS. Upon activation of the alarm the GSM Dialer will send a text message followed by a call to the first two recipients. When a recipient picks up they will hear the recording and will then be able to listen in through the microphone. If nobody picks up, the GSM Dialer may make repeated attempts corresponding to the number of dialing cycles set. After all attempts have been made the next recipient will be dialed. After the last recipient is called the GSM Dialer will resume with the first recipient until the system is deactivated. This can only be achieved by the user sending an SMS to the GSM Dialer or by disconnecting all power sources from the GSM Dialer.



7. Controlling your system using handheld devices via SMS

As an alternative if you are unable or dont want to use the Smart Phone app the GSM Dialer can be controlled by precise SMS text instructions. These are listed below:

WS210 GSM Dialer SMS Definition		PWD = 4 Digit PIN			
		Cell to GSM Dialer	[SEND] SMS Example	GSM to Cell SMS (Acknowledgement)	[RECIEVE] SMS Example
Setting Commands	Program the telephone number	[PWD](SETTEL) (PRESET#)(Tel no)	1234SETTEL (space) 8 (space) + (Tel no);	#TEL NO. HAS BEEN PROGRAMMED TO (tel no)	#8TEL NO. HAS BEEN PROGRAMMED TO +45 45665758
	Erase the telephone number	[PWD](SETTEL) (PRESET#)	1234SETTEL (space) 8	#TEL NO. HAS BEEN ERASED	#8 TEL NO. HAS BEEN ERASED
	Program the number of dialing cycle	[PWD](SETCYC) (number of cycle)	1234SETCYC (space) 9	PROGRAMMED # DIALING CYCLE	PROGRAMMED 9 DIALING CYCLE
	Programme the name of premises	[PWD](PREMSES)-(Name)	1234PREMSES [HUSBAND CELL]	PREMSES NAME HAS BEEN SET TO HUSBANDS CELL	PREMSES NAME HAS BEEN SET TO HUSBANDS CELL
	Program a new password	[PWD](SETPW)(new password)	1234SETPWD (space) 5678	PASSWORD HAS BEEN CHANGED	PASSWORD HAS BEEN CHANGED
Remarks:		Not applicable			
Control Commands	System reset and restore to factory settings	[PWD]RESET	1234RESET	SYSTEM HAS BEEN RESET	SYSTEM HAS BEEN RESET
	Set the system in STANDBY mode	[PWD]DISARM	1234DISARM	SYSTEM HAS BEEN DISARMED	SYSTEM HAS BEEN DISARMED
	Set the system in ARM mode	[PWD]ARM	1234ARM	SYSTEM HAS BEEN ARMED	SYSTEM HAS BEEN ARMED
	Set the system in HOME mode	[PWD]HOME	1234HOME	SYSTEM HAS BEEN SET TO HOME MODE	SYSTEM HAS BEEN SET TO HOME MODE
	Set the system in ALERT mode	[PWD]ALERT	1234ALERT	SYSTEM HAS BEEN SET TO ALERT MODE	SYSTEM HAS BEEN SET TO ALERT MODE
	Set the system in PANIC mode	[PWD]PANIC	1234PANIC	SYSTEM HAS BEEN SET TO PANIC MODE	SYSTEM HAS BEEN SET TO PANIC MODE
Monitor	Inquire the system settings	[PWD]INQUIRY	1234INQUIRY	(name): TEL 1: TEL NO#LF TEL 2: TEL NO#LF TEL 3: TEL NO#LF TEL 8: TEL NO#LF CYCLE: NUMBER OF DIALING CYCLE LF	LILLY HOME: TEL 1: +45 123456 TEL 2: +45 121212 TEL 3: +45 131314 TEL 4: TEL 5: TEL 6: TEL 7: TEL 8: CYCLE: 9
	Instruct the GSM dialer to call back so that user can listen to the home	[PWD]CALL	1234CALL	No SMS - System will call back the number directly	Not applicable
Notification of events	SYSTEM TRIGGERED	Not applicable	Not applicable	SYSTEM TRIGGERED & GSM will call back the programmed tel. no. directly	SYSTEM TRIGGERED
	AC POWERED	Not applicable	Not applicable	SYSTEM AC POWER ON	SYSTEM AC POWER ON
	NO AC POWER	Not applicable	Not applicable	SYSTEM AC POWER LOST	SYSTEM AC POWER LOST
	DC BATTERY LOW	Not applicable	Not applicable	SYSTEM BACKUP BATTERY LOW	SYSTEM BACKUP BATTERY LOW

8. General Maintenance

Regular maintenance and inspection is encouraged. In order to ensure that all components are at optimal performance please test all components on a regular basis and replace batteries at suitable intervals.

9. General information

The GSM Dialer allows greater control in terms of remote management of the SafeHome Security system. Also its automated functions can direct a short message to specific individuals or the emergency services and thus allow a more direct response to any intrusion. SafeHome is working to expand its range of sensory devices and is the leading developer of easy to install, expandable home security systems. For more information on other SafeHome products please visit our website at www.safehome.dk.

10. Q & A

What if I have forgotten my password?

If you forget the GSM Dialer password you may need to reset the GSM Dialer so that the device is able to respond to the new password. To reset the password hold down the reset button for 5 seconds. You will have to set a new password via the app Setup page.

Is this compatible with emergency lines?

Many emergency lines direct the caller to an automated reception which cannot interact with the GSM Dialer. We suggest you identify direct lines to relevant emergency service personnel before entering them into the GSM Dialer setup.

What is the wireless range? What about walls and other signal obstructions?

In an open space the range is 100 meter. We suggest you test the system before fixing them so that the optimal location can be established.

Can the system be dismantled and redeployed?

SafeHome Alarm systems are designed to be easily installed, dismantled and relocated.

Can the signal be jammed or disrupted?

SafeHome products use a specific radio frequency. There may be a case of false activation by neighbours who also use SafeHome products but your system can be modified to eliminate these by changing the House code.

Where can I buy other SafeHome Alarm systems and sensors?

Please contact any of our representatives who can assist you in contacting the local distributor.



11. Troubleshooting

Audio recording is poor

Please ensure that you speak clearly into the microphone and ensure that there is minimal background noise.

AC Power Failure

Check all connections and see whether your mains are still operational. The Backup battery should keep the device working for another 6 hours

System Battery failure

If the backup battery is running low a battery symbol will flash on the display. This should be replaced as soon as the battery low symbol appears

Sensor failure

Check that the house settings code settings are identical in the Smart Panel and in the sensor.

Disclaimer

SafeHome ApS accept no liability for any errors or omissions in any respect.

This product should not be operated by children or persons who are likely not to have adequate psyche or physique to operate it properly. Operation is always supported by competent adult user. The product is not a toy and should never be used as such.

Possibly. corrections will be made without further notice.

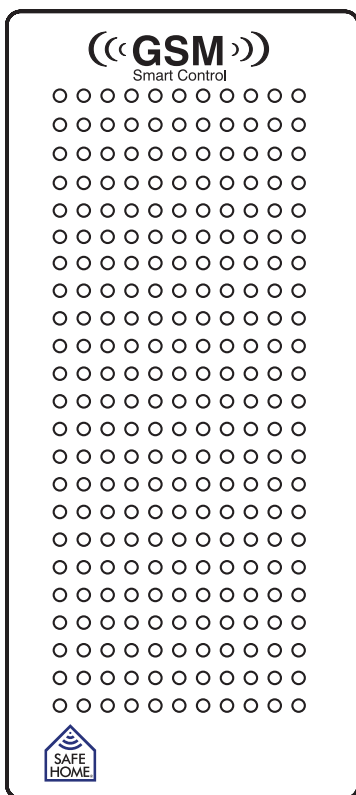
We disclaim any responsibility for errors, accidents, damage and accidents arising from the use of SafeHome Wireless Autodialer/Control WS-210

For support and more information: www.safehome.dk

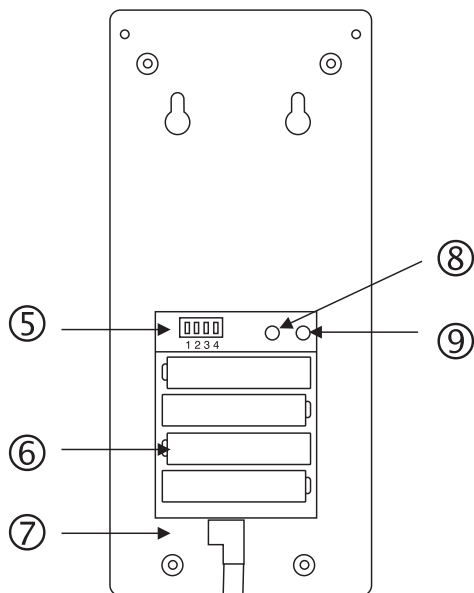
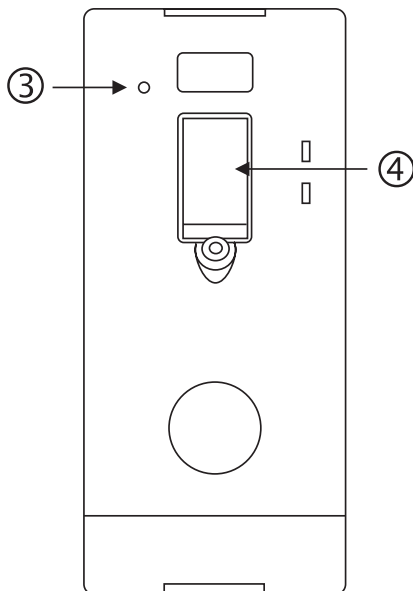
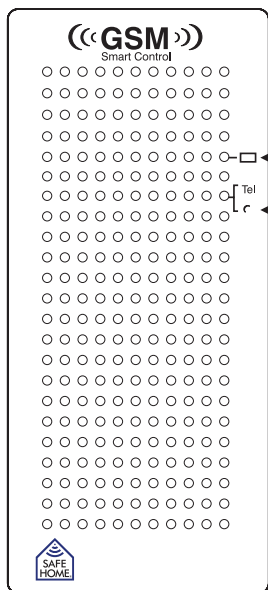


Trådløs Automatisk Opkaldsenhed/ Styring – GSM Dialer

Tilbehør for SafeHome Alarm System



Produkt



1. Batteri LED lys
2. Signal/forbindelse LED lys
3. Mikrofon
4. SIM kort holder
5. Huskode
6. Batteri holder til
4 X AA Alkaline Batterier
7. DC strøm stik
8. REC/PLAY knap
9. Reset knap

Indholdsfortegnelse

1. Introduktion	3
2. Valg af placering	3
3. Installation	4
3.1 Første installation	4
3.2 Registrering af GSM Dialer i Smart Panelet	5
3.3. Stemme beskeder	6
4. Reset til fabriksindstillinger	6
5. Opsætning af din GSM Dialer ved hjælp af SmartPhone Applikation	6
6. Styring af dit system ved hjælp af SmartPhone App	7
System kontrol side	7
Opsætningsside /Inquire Page	7
Aktivering af alarm	7
7. Styring af dit system med SMS fra mobiltelefoner	8
8. Vedligehold	9
9. Generel information	9
10. Spørgsmål og svar	9
11. Problemløsning	9
Ansvarsfraskrivelse	10

1. Introduktion

GSM Trådløs Automatisk Opkaldsenhed/styring (Dialer) virker ligesom alarmsystemets tastatur, så du kan få adgang til, og betjene dit system fra overalt i verden, når du bruger din smartphone eller andre kompatible trådløse håndholdte enheder.

- Alarmere op til 8 personer ved hjælp af GSM-netværket.
- Aflyt lokalet enheden er placeret i vha. den indbyggede mikrofon.
- Aktivere eller deaktivere alarmsystemet langvejs fra.
- Kan anvendes til universel 850/900/1800/1900MHz GSM frekvens.

2. Valg af placering

For at sikre, at installationen forløber uden problemer, skal du vælge en passende placering. Denne placering vil ideelt set være tæt på en stikkontakt, der er tilgængelig for brugeren, og alligevel ikke tilgængelige for uvedkommende.

- Fastgør enheden på et glat, tørt og fast underlag, et sted med god GSM dækning.
- Undgå steder i nærheden ekstreme varmekilder (radiatorer, ovne, komfurer) og store metalgenstande/motorer/kompressorer, der kan forstyrre radiosignaler.

3. Installation

Du skal bruge følgende til opsætningen:

1 x GSM Dialer

1 x AC strømforsyning

2 x skruer

Batterier (4 X AA, medf. ikke)

GSM SIM-kort uden kode (medf. ikke)

Værktøj til montering

Tilgængeligt 220V stikkontakt

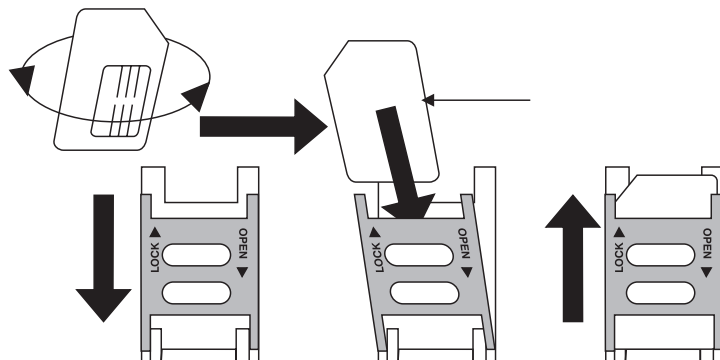
Smart Panel kontrolenheden til SafeHome alarmsystemet følger ikke med.

3.1 Første installation

a. Fjern frontdækslet på GSM Dialeren. Dette løsnes nemmest i bunden af enheden.

b. Skub SIM-kortholderen tilbage som vist, og derefter folde holderen fremad.

c. Indsæt SIM-kortet. Skub SIM-kortholderen tilbage igen opad.



d. Sæt igen frontdækslet på.

e. Isæt batterier og sikr dig, at de vender korrekt. Tilslut AC-adapteren.

f. Batteri LED lyset (1) og Signal LED-lys (2) vil lyse op.

g. Efter et stykke tid vil begge slukke, hvilket indikerer, at GSM Dialer er forbundet med GSM-nettet. Signal LED lys vil blinke hvert 10. sekund for at indikere, at GSM Dialer er tilsluttet GSM-netværket.

h. Registrer GSM Dialeren i dit Smart Panel. Der henvises til afsnit 3,2 for registrering af GSM Dialer i et Smart Panel.

i. Sæt dækslet for batteriholderen.

j. Monter på tiltænkte placering.

3.2 Registrering af GSM Dialer i Smart Panelet

For at bruge GSM Dialer med Smart Panel skal du registrere enheden. Dette vil få Smart Panelet til at genkende og interagere med GSM Dialer.

Den registrering skal være gennemført, for at GSM Dialer fungerer korrekt. Hvis proceduren ikke er afsluttet, vil GSM Dialer ikke reagere på systemet.


VIGTIGT:

Hvis fabriksindstillingerne for SafeHome Alarm Systemet ikke er ændret, kan det være, at det ikke er nødvendigt at ændre indstillingerne på enheden.

Hvis huskoden er ændret, eller det er nødvendigt at gøre det, for at undgå interferens med andre systemer, så husk, at alle enheder på systemet skal have ændret huskoden (alle sensorer, sirener, fjernbetjening etc.) til den samme huskode.

Huskoden ændres sådan:

- Der er 4 jumpere/kontakter på hver enkelt enhed.
- Fjern dækslet over jumperne/kontakterne og flyt dem til systemets huskode.
- Hvis en jumper er sat i, er den "ON", hvis den er fjernet, er den "OFF". På de små kontakter er der markeret, hvad der er "ON". Standardkode er med alle jumpere/kontakter sat på "ON".
- For at systemet skal fungere korrekt, er det vigtigt, at alle systemets enheder har samme indstilling - både hoved panelet og de enkelte enheder som følere, sensorer, fjernbetjening og sirener.

Jumpers for huskoden		Standard kode: 1: ON, 2: ON, 3: ON, 4:ON Jumper: ON= skubbet ind, OFF= trukket ud
----------------------	---	---

For registrering af GSM dialer følges følgende procedure:

- a. Indtast den 4-cifrede pin på Smart Panel, og tryk på knappen Indstilling og '2' (registrerings tilstand).
- b. Hold knapperne RECORD og RESET på bagsiden af GSM Dialer inde i to sekunder.
- c. Flere bip fra Smart Panel vil indikere, at tilmelding er vellykket.
- d. Tryk på ENTER på Smart Panel for at forlade registrering.



3.3. Tale besked

Brugeren er i stand til at optage en talebesked op til 20 sekunder. Enheden har en indbygget mikrofon og højttaler til optagelse og afspilning af talebeskeder. Skriv evt. beskeden på et papir, så den kan huskes ved indtaling.

VIGTIGT:

Vi anbefaler at tilføje en note i slutningen af meddelelsen (eks. "Husk at frakoble/afmelde") for at minde modtageren af opkaldet om, at frakoble systemet. Ellers vil der blive kaldt op til det næste programmerede telefonnummer indtil opkald cyklus er færdig. Efter det sidste nummer i cyklus er kaldt, startes forfra på cyklus.

GSM Dialeren har en følsom mikrofon. Dette giver brugeren mulighed for at indtale en kort besked beregnet til bestemte personer eller alarntjenesterne.

For at optage en besked:

- Hold (optage / afspille) venstre knap på bagsiden indtil BATTERI LED konstant lyser
- Slip (optage / afspille) knap
- Tal ind i mikrofonen i op til 20 sekunder
- Tryk på (optage / afspille) for at afslutte i optagelsen, hvis den er mindre end 20 sekunder
- Tryk på (optage / afspille) knap til afspilning af netop indtalt besked

4. Reset til fabriksindstillinger

For at sikre, at alle tidligere indstillinger slettes, kan der laves en Reset til fabriksindstillinger. Det gøres ved at holde RESET knappen på bagsiden ned i mere end 5 sekunder.

5. Opsætning af din GSM Dialer ved hjælp af SmartPhone Applikation (App)

Brug af Smart Phone giver mulighed for en praktisk og let måde at fjernstyre SafeHome Alarm System over store afstande. Søg efter 'SafeHome' på Apple® App Store eller Android® Google Play for at downloade den app til din iPhone/SmartPhone.

Efter installation af App'en, skal du sætte den op som følger:

- a) Første gang du åbner app'en efter installationen er PIN-koden 1234. Den kan du ændre senere. PIN-koden er for at beskytte uautoriseret adgang til systemet.
- b) Gå til indstillingssiden.
- c) Vælg de systemer, som du gerne vil sætte op. Du kan administrere op til 3 systemer.
- d) Land - Vælg hvilket land systemet er installeret i.
- e) GSM-telefonnummer - Indtast telefonnummeret på SIM-kortet i GSM Dialeren.
- f) GSM password - input GSM Dialer sikkerhed PIN. Du skal indtaste standard PIN-kode "1234" den første gang, du åbner denne enhed. En "edit" knappen vises, når du har angivet din adgangskode. Tryk på knappen "Rediger" og indtast en personlig 4-cifret PIN-kode.
- g) Programmer telefonnumre, som du ønsker GSM Dialeren skal til at ringe, når dit system alarmerer. GSM Dialeren kan ringe op til 8 telefonnumre efter hinanden.

- h) Endelig skal du vælge opkald cyklus. Du kan vælge op til 8 cylus - standard er 3. Det er det antal gange, du ønsker din GSM Dialeren skal forsøge at ringe hvert telefonnummer.
- i) Når du har bekræftet ovenstående setup information ved at trykke på denne knap, vil du modtage en bekræftelse på SMS af ovenstående indstillinger fra din GSM Dialer efter par sekunder.
- j) Du vil nu være i stand til at styre indstillingerne ved hjælp af iPhone/SmartPhone.

* Alle autoriserede brugere skal bruge det samme password efter dette er blevet indtastet. Hvis du glemmer det, hold RESET for at gendanne GSM Dialeren i fabriksindstillingerne. Hvis flere SmartPhones bliver brugt samtidig, vil den sidstes indstillinger blive anvendt.

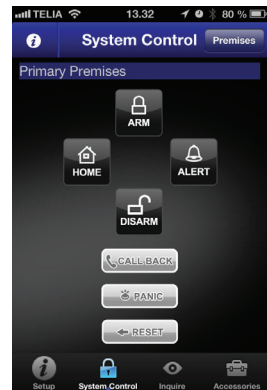
6. Styling af dit system ved hjælp af iPhone/SmartPhone App

System kontrol side

Hver instruktion sendes som en SMS-besked via App'en. En SMS kvittering svarende til hver instruktion vil blive sendt som svar. For en detaljeret beskrivelse af tasterne tryk på »i« i øverste venstre hjørne.

Opsætningside /Inquire Page

- Du kan kontrollere indstillingerne for din GSM Dialer og sikre, at alt er i orden, ved at trykke CHECK SETUP på opsætningsiden (Inquire). En SMS, der sendes til dig, vil liste de op til 8 telefonnumre, opkald cyklus samt strømstatus på Smart Panel.
- Efter hver CHECK SETUP kommando vil den tilknyttede enhed gå i HOME-tilstand, der giver mulighed for en kombination af tilstanden ARM og ALERT i de aktuelle zoner. Du kan få brug for at sende en kommando om ARM, ALERT eller DISARM til dit system efter et CHECK SETUP.



Aktivering af alarm

Hvis en kontakt brydes, vil der blive sendt besked til #1 på listen, om at et sensorbrud er registreret. Hvis strømmen frakobles, vil #1 ligeledes få besked. Ved aktivering af alarm vil GSM Dialeren sende en SMS-besked efterfulgt af et opkald til de to første modtagere. Når en modtager besvarer opkaldet vil de høre optagelsen, og vil derefter være i stand til at lytte til rummet vha. mikrofonen. Hvis ingen besvarer GSM Dialerens opkald fortsættes i det programmerede antal cyklus. Systemet deaktiveres ved at sende en SMS gennem App'en eller ved at afbryde alle strømkilder til GSM Dialeren.

7. Styring af dit system med SMS fra mobiltelefoner

Som et alternativ, hvis du ikke kan eller ønsker at bruge SmartPhone app, kan GSM Dialeren styres af præcise SMS instruktioner. Disse er anført nedenfor:

WS210 GSM Dialer SMS Definitioner		PWD = 4 Digit PIN			
		Mobil til GSM Dialer	[SEND] SMS Eksempel	GSM til Mobil SMS (bekræftelse)	[MODTAG] SMS Eksempel
Indstilling kommandoer	Programmer telefonnummeret	[PWD](SETTEL) (PRESET#)(Tel no)	1234SETTEL (space) 8 (space) + (Tel no);	#TEL NO. HAS BEEN PROGRAMMED TO (tel no)	#8TEL NO. HAS BEEN PROGRAMMED TO +45 45565758
	Slet telefonnummeret	[PWD](SETTEL) (PRESET#)	1234SETTEL (space) 8	#TEL NO. HAS BEEN ERASED	#8 TEL NO. HAS BEEN ERASED
	Programmer antallet af cyklus	[PWD](SETCYC) (number of cycle)	1234SETCYC (space) 9	PROGRAMMED # DIALING CYCLE	PROGRAMMED 9 DIALING CYCLE
	Programmer navnet på enheden	[PWD](PREMSES)-(Name)	1234PREMSES [HUSBAND CELL]	PREMSES NAME HAS BEEN SET TO HUSBANDS CELL	PREMISES NAME HAS BEEN SET TO HUSBANDS CELL
	Programmer nyt password	[PWD](SETPW)(new password)	1234SETPWD (space) 5678	PASSWORD HAS BEEN CHANGED	PASSWORD HAS BEEN CHANGED
Bemærkninger:		Ikke aktuelt			
Kontrol kommandoer	System reset til fabriksindstillinger	[PWD]RESET	1234RESET	SYSTEM HAS BEEN RESET	SYSTEM HAS BEEN RESET
	Sæt systemet i STANDBY mode	[PWD]DISARM	1234DISARM	SYSTEM HAS BEEN DISARMED	SYSTEM HAS BEEN DISARMED
	Sæt systemet i ARM mode	[PWD]ARM	1234ARM	SYSTEM HAS BEEN ARMED	SYSTEM HAS BEEN ARMED
	Sæt systemet i HOME mode	[PWD]HOME	1234HOME	SYSTEM HAS BEEN SET TO HOME MODE	SYSTEM HAS BEEN SET TO HOME MODE
	Sæt systemet i ALERT mode	[PWD]ALERT	1234ALERT	SYSTEM HAS BEEN SET TO ALERT MODE	SYSTEM HAS BEEN SET TO ALERT MODE
	Sæt systemet i PANIC mode	[PWD]PANIC	1234PANIC	SYSTEM HAS BEEN SET TO PANIC MODE	SYSTEM HAS BEEN SET TO PANIC MODE
Overblik	Vis Systemets opsætninger	[PWD]INQUIRY	1234INQUIRY	(name): TEL 1: TEL NO#LF TEL 2: TEL NO#LF TEL 3: TEL NO#LF TEL 8: TEL NO#LF CYCLE: NUMBER OF DIALING CYCLE LF	LILLY HOME: TEL 1: +45 123456 TEL 2: +45 121212 TEL 3: +45 131314 TEL 4: TEL 5: TEL 6: TEL 7: TEL 8: CYCLE: 9
	Få systemet til at ringe tilbage, for at aflytte rummet	[PWD]CALL	1234CALL	No SMS - System will call back the number directly	Not applicable
Besked om hændelser	System alarm	Ikke relevant	Ikke relevant	SYSTEM TRIGGERED & GSM will call back the programmed tel. no. directly	SYSTEM TRIGGERED
	Strøm tilsluttet	Ikke relevant	Ikke relevant	SYSTEM AC POWER ON	SYSTEM AC POWER ON
	Afbrudt strømforsyning	Ikke relevant	Ikke relevant	SYSTEM AC POWER LOST	SYSTEM AC POWER LOST
	Lavt batteriniveau	Ikke relevant	Ikke relevant	SYSTEM BACKUP BATTERY LOW	SYSTEM BACKUP BATTERY LOW

8. Vedligehold

Regelmæssig vedligeholdelse og eftersyn anbefales. For at sikre, at alle komponenter har optimal ydeevne bør du teste regelmæssigt, og udskift batterierne med passende mellemrum (typisk holdbarhed er 1 år).

9. Generel information

GSM Dialeren muliggør kontrol med hensyn til fjernadministration af SafeHome Alarm system.

SafeHome arbejder på at udvide sit sortiment af sensoriske enheder og udvikler stadig nye produkter, til sikring af hjemmets værdier. For mere information om andre SafeHome produkter kan du besøge vores hjemmeside på www.safehome.dk.

10. Spørgsmål og svar

Hvad hvis jeg har glemt mit password?

Hvis du glemmer GSM Dialerens adgangskode, er du måske nødt til at nulstille GSM Dialeren, således at enheden er i stand til at få en ny adgangskode.

Før at nulstille adgangskoden (til 1234) holdes RESET-knappen nede i 5 sekunder. Du bliver nødt til at sætte en ny adgangskode via app-opsætning eller SMS.

Hvad er den trådløse rækkevidde? Hvad med vægge og andre signal forhindringer?

I et åbent rum er rækkevidden op til 100 meter. Vi foreslår, at du tester systemet før fastgørelse, så den optimale placering kan opnås.

Kan systemet demonteres og geninstalleres?

SafeHome Alarm systemer er designet til at være lette at installere, demontere og flytte.

Kan signalet blive forstyrret?

SafeHome produkter bruger en bestemt frekvens. Der kan være tale om en falsk aktivering af naboer, der også bruger SafeHome produkter, men dit system kan modificeres til at eliminere disse ved at ændre huskode.

Hvor kan jeg købe andre SafeHome Alarmsystemer og sensorer?

Kontakt os venligst, så vil vi anvise nærmeste forhandler.

Se evt. også på www.safehome.dk.

11. Problemløsning

Lydoptagelse er dårlig

Sørg for at tale tydeligt i mikrofonen, og sikre at der er minimal baggrundsstøj.

AC Strømsvigt

Kontroller alle forbindelser og se, om dit elnett stadig er i drift. Backup batteri kan holde enheden aktiv i yderligere op til 6 timer.

System Batteri svigt

Hvis backup batteri er ved at løbe tør for strøm, vil et batteri LED-lyset (1) blinke.

Backup batterier bør udskiftes så snart dette sker.

Sensorfejl

Kontroller, at huskoden er identiske i alle systemets enheder.



Ansvarsfraskrivelse

SafeHome ApS tager forbehold for evt. fejl og mangler i ethvert henseende.

Produktet må ikke betjenes af børn eller personer, der kan forventes ikke at have fornøden psyke eller fysik til at betjene det korrekt. Betjening skal altid supporteres af kompetent voksen bruger. Produktet er ikke legetøj, og må aldrig benyttes som sådant. Evt. rettelser vil blive foretaget uden yderligere varsel.

Vi fraskriver os ethvert ansvar for fejl, uheld, gener og ulykker opstået i forbindelse med brug af SafeHome Trådløs GSM Dialer WS-210

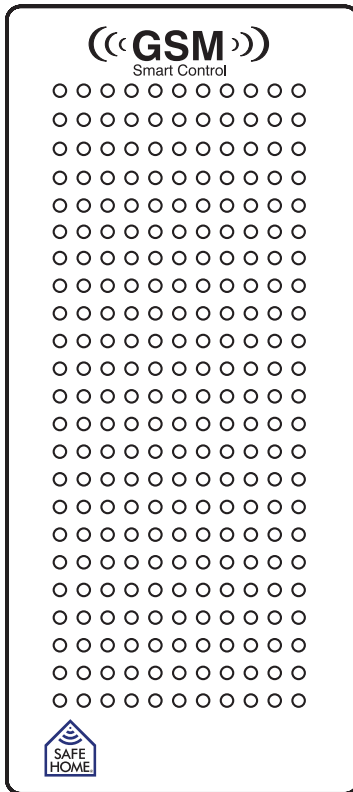
For support og yderligere information: www.safehome.dk



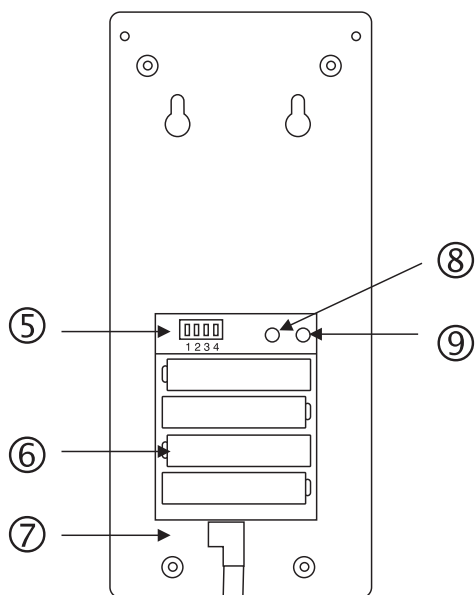
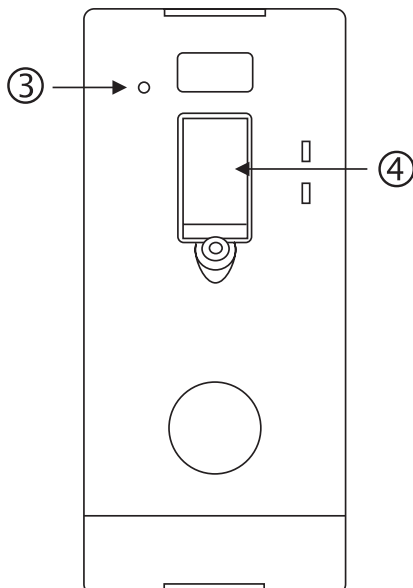
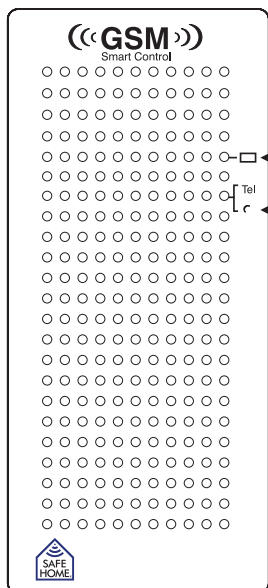
Trådlös automatisk uppringningsenhet/

Styrning – GSM Dialer

Tillbehör till SafeHome larmsystem



Produkt



1. LED-lampa för batteri
2. LED-lampa för signal/anslutning
3. Mikrofon
4. SIM-korthållare
5. Huskod
6. Batterihållare för 4 x AA alkaliska batterier
7. DC-kontakt
8. REC/PLAY-knapp
9. Reset-knapp

Innehållsförteckning

1. Introduktion	23
2. Val av placering	23
3. Installation	24
3.1 Första installation	24
3.2 Registrera GSM Dialer i Smart Panel	24
3.3. Röstmeddelanden	25
4. Återställ fabriksinställningarna	26
5. Ställa in GSM Dialer med hjälp av en smartphone-app (app)	26
6. Styr systemet med hjälp av en iPhone/SmartPhone-app	27
Systemkontroll sida	27
Inställningssida/Inquire Page	27
7. Styr systemet med SMS från mobiltelefon	28
8. Underhåll	29
9. Allmän information	29
10. Frågor och svar	29
11. Problemlösning	29
Friskrivningsklausul	30

1. Introduktion

GSM trådlös automatisk uppringningsenhet/Styrning (Dialer) fungerar som larmsystemets knappsats så att du har åtkomst till och kan styra systemet när du använder en smart-phone eller andra kompatibla trådlösa handhållna enheter oavsett av var i världen du befinner dig.

- Larma upp till 8 personer med hjälp av GSM-nätverket.
- Avlyssna lokalen som enheten är placerad i m.h.a. den inbyggda mikrofonen.
- Fjärraktivera eller fjärrdeaktivera larmsystemet.
- Fungerar med universell 850/900/1800/1900MHz GSM-frekvens.

2. Val av placering

För att säkra att installationen sker utan problem ska du välja en lämplig placering. En idealisk placering är nära ett eluttag, som är tillgängligt för användaren, men inte tillgängligt för obehöriga.

- Montera enheten på ett plant, torrt och fast underlag på en plats med god GSM-täckning.
- Undvik platser i närheten av extrema värmekällor (element, ugnar, spisar) och stora metallföremål/motorer/kompressor, som kan störa radiosignaler.

3. Installation

För installationen behövs följande:

1 x GSM Dialer

1 x AC-strömförsörjning

2 x skruvar

Batterier (4 x AA, ingår ej)

GSM SIM-kort utan kod (ingår ej) Verktyg för montering

Tillgängligt 220 volts eluttag

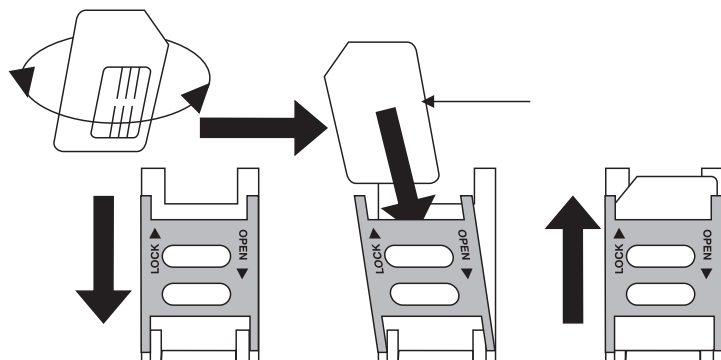
Smart Panel kontrollenhet till SafeHome larmsystem ingår ej.

3.1 Första installation

a. Ta bort luckan på framsidan på GSM Dialer. Den lossas lättast i enhetens botten. b.

Skjut tillbaka SIM-korthållaren enligt bilden och vik sedan ut den.

c. Sätt i SIM-kortet. Skjut tillbaka SIM-korthållaren.



d. Sätt tillbaka luckan på framsidan.

e. Sätt i batterier och försäkra dig om att de är vända åt rätt håll. Anslut AC-adapttern.

f. LED-lampan för batteriet (1) och LED-lampan för signalen (2) tänds.

g. Efter en liten stund släcks båda, vilket visar att GSM Dialer är ansluten till GSM-nätet.

LED-lampan för signalen blinkar var tionde sekund för att visa att GSM Dialer är kopplad till GSM-nätverket.

h. Registrera GSM Dialer i Smart Panel. Se avsnitt 3.2 för information om registrering av GSM Dialer i Smart Panel.

i. Sätt tillbaka luckan på batterihållaren.

j. Montera på vald plats.

3.2 Registrera GSM Dialer i Smart Panel

För att kunna använda GSM Dialer med Smart Panel ska du registrera enheten. Smart Panel känner då igen och interagerar med GSM Dialer.

Du måste registrera enheten innan GSM Dialer fungerar korrekt. Om proceduren inte är avslutad svarar GSM Dialer inte på systemet

VIKTIGT:

Om fabriksinställningarna för SafeHome larmsystem inte är ändrade är det kanske inte nödvändigt att ändra inställningarna för enheten.

Om huskoden har ändrats, eller om det är nödvändigt att ändra den för att undvika interferens med andra system, måste du komma ihåg att ändra huskod för alla enheter i systemet (alla sensorer, sirener, fjärrkontroller o.s.v.).

Så här ändras huskoden:

- Det finns 4 knappar/kontakter på varje enhet.
- Ta bort luckan över knapparna/kontakterna och ställ in dem på systemets huskod.
- Om en knapp är intryckt är den "PÅ" ("ON") och om den inte är intryckt är den "AV" ("OFF"). En markering på de små knapparna visas när de är i läget "ON". Standardkoden för alla knappar/kontakter är läget "ON".
- För att systemet ska fungera korrekt är det viktigt att systemets alla enheter har samma inställning – både huvudpanelen och de enskilda enheterna såsom avkännare, sensorer, fjärrkontroller och sirener.

Knappar för huskoden		Standardkod: 1: ON, 2: ON, 3: ON, 4: ON Knapp: ON= intryckt, OFF= ej intryckt
----------------------	---	---

Vid registrering av GSM Dialer följs följande procedur:

- a. Knappa in den fyrsiffriga pinkoden på Smart Panel, tryck på knappen Inställning och "2" (status för registreringen).
- b. Håll in knapparna RECORD och RESET på baksidan av GSM i två sekunder.
- c. Flera pip från Smart Panel visar att registreringen har lyckats.
- d. Tryck på ENTER på Smart Panel för att lämna registreringsläget.

3.3. Röstmeddelanden

Användaren kan tala in ett röstmeddelande som är upp till 20 sekunder långt. Enheten har inbyggd mikrofon och högtalare för inspelning och uppspelning av röstmeddelanden. Skriv upp meddelandet på ett papper så att du kommer ihåg vad du ska säga när du talar in det.

VIKTIGT:

Vi rekommenderar att du lägger till en kommentar i slutet av meddelandet (t.ex. "Kom ihåg att koppla ifrån/avregistrera") för att påminna den som tar emot samtalet att koppla från systemet. Du kommer annars att ringas upp på nästa inprogrammerade telefonnummer tills uppringningscykeln är färdig. När det sista numret i cykeln har ringts upp börjar systemet om från början igen.



GSM Dialer har en känslig mikrofon. Det ger användaren möjlighet att tala in ett kort meddelande som är avsett för valda personer eller olika larmtjänster.

Så här talar du in ett meddelande:

- Håll in den vänstra knappen på baksidan (spela in/spela upp) tills LED-lampan för BATTERI lyser med fast sken
- Släpp knappen (spela in/spela upp)
- Tala in i mikrofonen i upp till 20 sekunder
- Tryck på knappen (spela in/spela upp) för att avsluta inspelningen om den är kortare än 20 sekunder
- Tryck på knappen (spela in/spela upp) för att lyssna på meddelandet som nyss talats in

4. Återställ fabriksinställningarna

För att säkra att alla tidigare inställningar tas bort kan en återställning till fabriksinställningarna göras. Det görs genom att hålla in RESET-knappen på enhetens baksida i minst fem sekunder.

5. Ställa in GSM Dialer med hjälp av en smartphone-app (app)

Om du använder en smartphone har du tillgång till ett praktiskt och enkelt sätt att fjärrstyra SafeHome larmsystem när du befinner dig någon annanstans. Sök efter "Safe-Home" på Apple® App Store eller Android® Google Play för att ladda ner appen till din iPhone/SmartPhone.

När du har laddat ner appen installerar du den så här:

- a) Första gången du öppnar appen efter installationen är PIN-koden "1234". Du kan ändra den senare. PIN-koden används för att skydda mot obehörig åtkomst av systemet.
- b) Gå till inställningssidan.
- c) Välj de system som du vill ställa in. Du kan administrera upp till 3 system.
- d) Land – Välj vilket land systemet är installerat i.
- e) GSM-telefonnummer – Knappa in telefonnumret på SIM-kortet i GSM Dialer.
- f) GSM-lösenord – knappa in en säkerhets-PIN-kod för GSM Dialer. Första gången du använder enheten ska du knappa in standard-PIN-koden "1234". "Edit"-knappen visas när du har angett åtkomstkoden. Tryck på knappen "Redigera" ("Edit") och knappa in en personlig fyrsiffrig PIN-kod.
- g) Programmera de telefonnummer som du vill att GSM Dialer ska ringa till när systemet larmar. GSM Dialer kan ringa upp till 8 telefonnummer i följd.
- h) Slutligen ska du välja uppringningscykel. Du kan välja upp till 8 cykler – standard är 3. Det är det antal gånger som du vill att GSM Dialer ska försöka ringa till varje telefonnummer.
- i) När du har bekräftat ovanstående inställningsinformation genom att trycka på den här knappen får du efter några sekunder en bekräftelse på ovanstående inställningar via SMS från GSM Dialer.
- j) Du kan nu styra inställningarna med hjälp av en iPhone/SmartPhone.

* Alla auktoriserade användare ska använda samma lösenord när det har knappats in. Om du glömmer bort lösenordet håller du in RESET-knappen för att återställa GSM Dialer till fabriksinställningarna. Om flera smartphones används samtidigt gäller inställningarna för den som användes senast.

6. Styr systemet med hjälp av en iPhone/Smart-Phone-app

Systemkontroll sida

Alla instruktioner skickas i form av ett SMS-meddelande via appen. Ett SMS-kvitto som motsvarar varje instruktion skickas som svar. Om du vill ha utförlig information om knapparna trycker du på "i" i det övre vänstra hörnet..

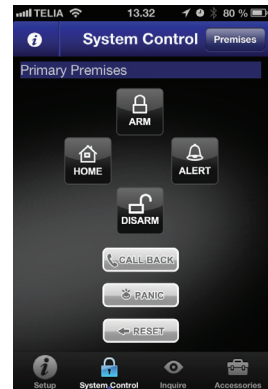
Inställningssida/Inquire Page

- Du kan kontrollera inställningarna för GSM Dialer för att se att allt är som det ska genom att trycka på CHECK SETUP på inställningssidan (Inquire). Ett SMS, som skickas till dig, visar upp till 8 telefonnummer, uppringningsscykeln samt strömstatus för Smart Panel.
- Efter varje CHECK SETUP-kommando växlar den anknutna enheten till HOME-läge, som möjliggör en kombination av tillstånden ARM och ALERT i de aktuella zonerna. Du kan behöva skicka ett kommando om ARM, ALERT eller DISARM till systemet efter en CHECK SETUP.

Aktivering av larm

Om kontakten bryts skickas ett meddelande till telefonnummer #1 på listan om att ett sensoravbrott har registrerats. #1 meddelas också om strömmen bryts.

Vid larmaktivering skickar GSM Dialer ett SMS-meddelande som efterföljs av en uppringning till de två första mottagarna. När en mottagare besvarar uppringningen hör de uppspelningen och kan därefter lyssna av rummet m.h.a. mikrofonen. Om ingen svarar fortsätter GSM Dialer att ringa upp enligt det programmerade antalet cykler. Systemet deaktiveras genom att skicka ett SMS via appen eller genom att frånkoppla alla strömkällor till GSM Dialer.



7. Styr systemet med SMS från mobiltelefon

Som alternativ, om du inte kan eller vill använda SmartPhone-app, kan GSM Dialer styras av exakta SMS-instruktioner. Dessa anges här nedan:

WS210 GSM Dialer SMS Definitioner		PWD = 4 Digt PIN	Mobil till GSM Dialer	[SKIKA] SMS Exempel	GSM till Mobil SMS (bekräftelse)	[MODTAG] SMS Exempel
Ställ in kommandon	Programmer telefonnummert	[PWD](SETTEL) (PRESET#)(Tel no)	1234SETTEL (space) 8 (space) + (Tel no);		#TEL NO. HAS BEEN PROGRAMMED TO (tel no)	#8TEL NO. HAS BEEN PROGRAMMED TO +45 45565758
	Radera telefonnummer	[PWD](SETTEL) (PRESET#)	1234SETTEL (space) 8		#TEL NO. HAS BEEN ERASED	#8 TEL NO. HAS BEEN ERASED
	Programmera antalet cykler	[PWD](SETCYC) (number of cycle)	1234SETCYC (space) 9		PROGRAMMED # DIALING CYCLE	PROGRAMMED 9 DIALING CYCLE
	Programmera enhetens namn	[PWD](PREMSES)-(Name)	1234PREMSES [HUSBAND CELL]		PREMSES NAME HAS BEEN SET TO HUSBANDS CELL	PREMSES NAME HAS BEEN SET TO HUSBANDS CELL
	Programmera nytt lösenord	[PWD](SETPW)(new password)	1234SETPWD (space) 5678		PASSWORD HAS BEEN CHANGED	PASSWORD HAS BEEN CHANGED
Kommentar:		Ej aktuellt				
Kontrollkommandon	Systemåterställning till fabriksinställn.	[PWD]RESET	1234RESET		SYSTEM HAS BEEN RESET	SYSTEM HAS BEEN RESET
	Ställ systemet i STANDBY-läge	[PWD]DISARM	1234DISARM		SYSTEM HAS BEEN DISARMED	SYSTEM HAS BEEN DISARMED
	Ställ systemet i LARM-läge	[PWD]ARM	1234ARM		SYSTEM HAS BEEN ARMED	SYSTEM HAS BEEN ARMED
	Ställ systemet i HOME-läge	[PWD]HOME	1234HOME		SYSTEM HAS BEEN SET TO HOME MODE	SYSTEM HAS BEEN SET TO HOME MODE
	Ställ systemet i ALERT-läge	[PWD]ALERT	1234ALERT		SYSTEM HAS BEEN SET TO ALERT MODE	SYSTEM HAS BEEN SET TO ALERT MODE
Ställ systemet i PANIC-läge	[PWD]PANIC	1234PANIC		SYSTEM HAS BEEN SET TO PANIC MODE	SYSTEM HAS BEEN SET TO PANIC MODE	
Översikt	Visa systemets inställningar	[PWD]INQUIRY	1234INQUIRY		(name): TEL 1: TEL NO#LF TEL 2: TEL NO#LF TEL 3: TEL NO#LF TEL 8: TEL NO#LF CYCLE: NUMBER OF DIALING CYCLE LF	LILLY HOME: TEL 1: +45 123456 TEL 2: +45 121212 TEL 3: +45 131314 TEL 4: TEL 5: TEL 6: TEL 7: TEL 8: CYCLE: 9
	Få systemet att ringa tillbaka för att avlyssna rummet	[PWD]CALL	1234CALL		No SMS - System will call back the number directy	Not applicable
Meddelande om händelser	System alarm	Ej relevant	Ej relevant		SYSTEM TRIGGERED & GSM will call back the programmed tel. no. directly	SYSTEM TRIGGERED
	Ström ansluten	Ej relevant	Ej relevant		SYSTEM AC POWER ON	SYSTEM AC POWER ON
	Bryt strömtillförseln	Ej relevant	Ej relevant		SYSTEM AC POWER LOST	SYSTEM AC POWER LOST
	Låg batterinivå	Ej relevant	Ej relevant		SYSTEM BACKUP BATTERY LOW	SYSTEM BACKUP BATTERY LOW

8. Underhåll

Regelbundet underhåll och tillsyn rekommenderas. För att säkra att alla komponenter har optimal prestanda bör du testa dem regelbundet och byta batterierna med jämna mellanrum (typisk hållbarhet 1 år).

9. Allmän information

Med GSM Dialer kan du kontrollera fjärradministration av SafeHome larmsystem. SafeHome arbetar med att utvidga sortimentet av sensoriska enheter och utvecklar ständigt nya produkter för att trygga våra hem. Om du vill ha mer information om andra produkter från SafeHome besöker du vår hemsida på www.safehome.dk.

10. Frågor och svar

Om jag har glömt mitt lösenord?

Om du glömmet bort åtkomstkoden till GSM Dialer kan det vara nödvändigt att nollställa GSM Dialer så att enheten kan få en ny åtkomstkod.

För att nollställa åtkomstkoden (till "1234") hålls RESET-knappen ner i 5 sekunder. Du måste nu ställa in en ny åtkomstkod via appen eller SMS.

Hur stor är den trådlösa räckvidden? Hur är det med väggar och andra signalhinder?

I ett öppet rum är räckvidden upp till 100 meter. Vi föreslår att du testat systemet innan det monteras så att optimal placering kan uppnås.

Kan systemet demonteras och installeras på nytt?

Alla SafeHome larmsystem är utformade för att vara lätta att installera, demontera och flytta.

Kan signalen störas?

SafeHome-produkter använder en viss frekvens. Det kan förekomma falsk aktivering via grannar, som också använder SafeHome-produkter, men systemet kan modifieras för att eliminera detta genom att huskoden ändras.

Hur kan jag köpa andra SafeHome larmsystem och sensorer?

Kontakta oss så hänvisar vi till närmaste återförsäljare.

Du kan också besöka www.safehome.dk.

11. Problemlösning

Ljudupptagningen är dålig

Var noga med att tala tydligt i mikrofonen och att säkra minimalt bakgrundsljud.

AC-strömavbrott

Kontrollera alla anslutningar och om elnätet fungerar. Backup-batteriet håller enheten aktiv i ytterligare upp till 6 timmar.

Systemets batterinivå är låg

Om backup-batteriet är på väg att bli tomt blinkar LED-lampan för batteriet (1). Backup-batterier bör bytas så snart detta sker.

Sensorfel

Kontrollera att huskoden är identisk för alla enheter i systemet.



Friskrivningsklausul

SafeHome ApS reserverar sig för ev. fel och brister i alla avseenden. Produkten får inte användas av barn eller personer som inte har tillräcklig mental och fysisk förmåga för att använda enheten på rätt sätt. Användning ska alltid ske under övervakning av en kompetent vuxen användare. Produkten är ingen leksak och får aldrig användas som en sådan. Ev. rättelser görs utan ytterligare meddelande.

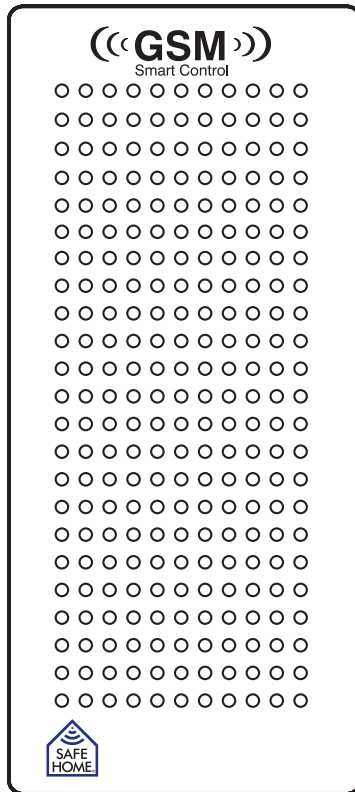
Vi friskriver oss från ansvar för fel, olyckor, olägenheter och störningar som uppstår i samband med användning av SafeHome trådlös GSM Dialer WS-210

Om du vill ha support eller ytterligare information besöker du www.safehome.dk

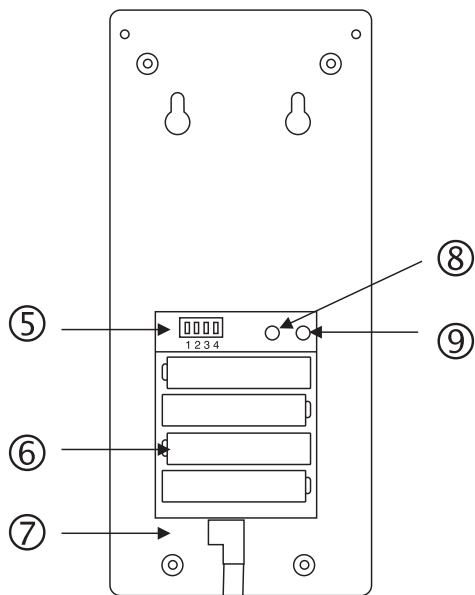
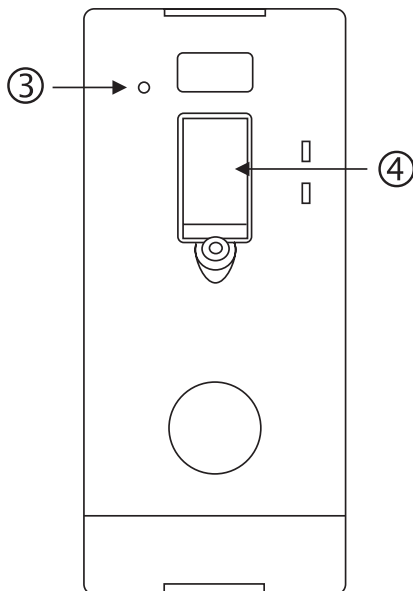
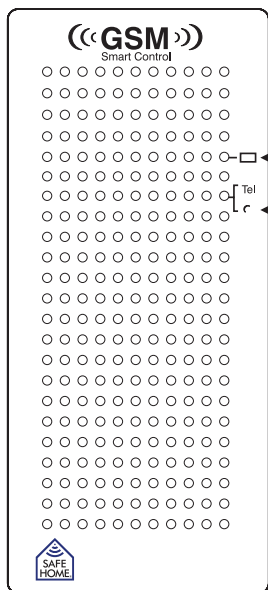


Trådløs Automatisk Oppringningsenhet/ Styring – GSM Dialer

Tilbehør for SafeHome Alarm System



Produkt



1. Batteri LED lys
2. Signal/forbindelse LED lys
3. Mikrofon
4. SIM-kort holder
5. Huskode
6. Batteriholder for 4 X AA Alkaline Batterier
7. DC strømplugg
8. REC/PLAY knapp
9. Reset knapp

Indholdsfortegnelse

1. Introduksjon	33
2. Valg av plassering	33
3. Installasjon	34
3.1 Første installasjon	34
3.2 Registrering av GSM Dialer i Smart Panelet	35
3.3. Talemelding	36
4. Reset til fabrikkinnstillinger	36
5. Innstilling av din GSM Dialer med hjelp av Smartphone Applikasjon (App)	36
6. Styring av ditt system med hjelp av iPhone/Smartphone App	37
Systemkontroll side	37
Oppsettside /Inquire Page	37
Aktivering av alarm	37
7. Styring af ditt system med SMS fra mobiltelefoner	38
8. Vedlikehold	39
9. Generell informasjon	39
10. Spørsmål og svar	39
11. Problemløsning	39
Ansvarsfraskrivelse	40

1. Introduksjon

GSM Trådløs Automatisk Oppringningsenhet/styring (Dialer) virker akkurat som alarmsystemets tastatur, slik at du kan få adgang til, og betjene ditt system fra overalt i verden, når du bruker din smartphone eller andre compatible trådløse mobile enheter.

- Alarmer opptil 8 personer med hjelp av GSM-nettverket.
- Avlytte lokalet enheten er plassert i med den innebygde mikrofonen.
- Aktivering eller deaktivering av alarmsystemet langveisfra.
- Kan anvendes til universell 850/900/1800/1900MHz GSM frekvens.

2. Valg av plassering

For å sikre at installasjonen forløper uten problemer, skal du velge en passende plassering. Denne plasseringen vil ideelt sett være tett på en stikkontakt som er tilgjengelig for brukeren, men likevel ikke tilgjengelig for uvedkommende.

- Fest enheten på et glatt, tørt og fast underlag, et sted med god GSM-dekning.
- Unngå steder i nærheten av ekstreme varmekilder (radiatorer, ovner, komfyrer) og store metallgjenstander/motorer/kompressorer, som kan forstyrre radiosignaler.

3. Installasjon

Du skal bruke følgende til innstillingene:

1 x GSM Dialer

1 x AC strømforsyning

2 x skruer

Batterier (4 X AA, medf. ikke)

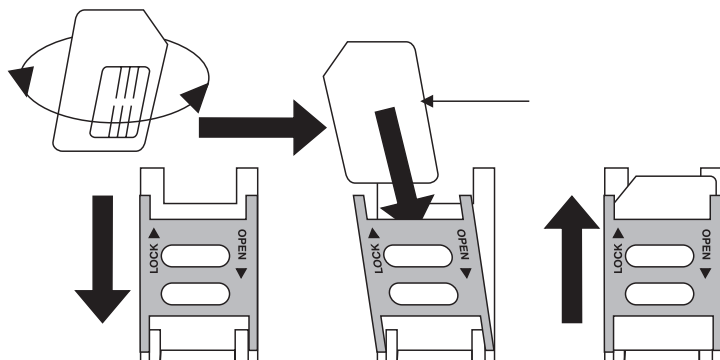
GSM SIM-kort uten kode (medf. ikke) Verktøy til montering

Tilgjengelig 220V stikkontakt

Smart Panel kontrollenheten til SafeHome alarmsystemet følger ikke med.

3.1 Første installasjon

- Fjern frontdekslet på GSM Dialer. Dette løsnes enklest i bunnen av enheten.
- Skyv SIM-kortholderen tilbake som vist, og deretter foldes holderen fremover.
- Sett inn SIM-kortet. Skyv SIM-kortholderen tilbake igjen oppover.



- Sett på igjen frontdekslet.
- Sett inn batteriene og påse at de sitter korrekt.
- Batteri LED lyset (1) og Signal LED-lyset (2) vil lyse opp.
- Etter et visst tidsrom vil begge slukke, hvilket indikerer, at GSM Dialer er forbundet med GSM-nettet. Signal LED lyset vil blinke hvert 10. sekund for å indikere at GSM Dialer er tilkoblet GSM-nettverket.
- Registrer GSM Dialer i ditt Smart Panel. Det henvises til avsnitt 3,2 for registrering av GSM Dialer i et Smart Panel.
- Sett dekslet til batteriholderen.
- Monter på den tiltenkte plassen.

3.2 Registrering av GSM Dialer i Smart Panelet

For å bruke GSM Dialer med Smart Panel skal du registrere enheten. Dette vil få Smart Panelet til å kjenne igjen og ha interaksjon med GSM Dialer.

Denne registreringen må være gjennomført for at GSM Dialer skal fungere korrekt. Hvis prosedyren ikke er avsluttet, vil GSM Dialer ikke reagere på systemet.


VIKTIG:

Dersom fabrikkinnstillingene for SafeHome Alarm Systemet ikke er endret kan det tenkes at det ikke er nødvendig å endre innstillingene på enheten.

Dersom huskoden er endret, eller det er nødvendig å gjøre det for å unngå interferens med andre systemer, så husk at alle enhetene på systemet skal ha endret huskoden (alle sensorer, sirener, fjernkontroller etc.) til den samme huskoden.

Huskoden endres slik:

- Det er 4 jumpere/kontakter på hver enkelt enhet.
- Fjern dekslet over jumperne/kontaktene og flytt dem til systemets huskode.
- Hvis en jumper er satt inn, så er den "ON", hvis den er fjernet, er den "OFF". På de små kontaktene er det markert hva som er "ON". Standardkoden er hos alle jumpere/kontakter satt på "ON".
- For at systemet skal fungere korrekt, er det viktig at alle systemets enheter har samme innstilling - både hovedpanelet og de enkelte enheter som følere, sensorer , fjernkontroller og sirener.

Jumpers for huskoden		Standard kode: 1: ON, 2: ON, 3: ON, 4:ON Jumper: ON= skjøvet inn, OFF= trukket ut
----------------------	---	--

For registrering av GSM Dialer følges følgende prosedyre:

- Tast inn din 4-sifrede pin på Smart Panel, og trykk på knappen Innstilling og '2 '(registreringstilstand).
- Hold knappene RECORD og RESET på baksiden av GSM Dialer nedtrykt i to sekunder.
- Flere pip fra Smart Panel vil indikere at påmeldingen er vellykket.
- Trykk på ENTER på Smart Panel for å forlate registreringen.



3.3. Talemelding

Brukeren kan ta opp en talemelding på opptil 20 sekunder. Enheten har en innebygget mikrofon og høyttaler til opptak og avspilling av talemeldinger. Skriv evt. meldingen på et stykke papir, slik at den kan huskes når den legges inn.

VIKTIG:

Vi anbefaler å tilføye en merknad ved slutten av meldingen (eks. "Husk å frakoble/melde av") for å påminne mottakeren av samtalen om å frakoble systemet. Ellers vil det bli anropt til det neste programmerte telefonnummeret inntil samtalesyklusen er ferdig. Etter det siste nummer i syklusen er anropt startes forfra på syklusen.

GSM Dialer har en følsom mikrofon. Dette gir brukeren mulighet til å tale inn en kort melding ment for bestemte personer eller alarmtjenestene.

For å ta opp en melding:

- Hold (opptak / avspilling) venstre knapp på baksiden inntil BATTERI LED konstant lyser
- Slipp (opptak / avspilling) knapp
- Snakk inn i mikrofonen i opptil 20 sekunder
- Trykk på (opptak / avspilling) for å avslutte i opptaket dersom det er mindre enn 20 sekunder
- Trykk på (opptak / avspilling) knapp for å spille av meldingen som nettopp ble talt inn

4. Reset til fabrikkinnstillinger

For å sikre at alle tidligere innstillinger slettes kan det foretas en Reset til fabrikkinnstillinger. Det gjøres ved å holde RESET knappen på baksiden nede i mer enn 5 sekunder.

5. Innstilling av din GSM Dialer med hjelp av Smartphone Applikasjon (App)

Ved å bruke Smartphone kan man praktisk og lettvinnt fjernstyre SafeHome Alarm System over store avstander. Søk etter 'SafeHome' på Apple® App Store eller Android® Google Play for å laste ned app'en til din iPhone/Smartphone.

Etter installasjon av app'en skal du stille den inn som følger:

- a) Første gang du åpner app'en etter installasjonen er PIN-koden 1234.
Den kan du endre senere. PIN-koden er for å hindre uautorisert tilgang til systemet.
- b) Gå til siden for innstillinger.
- c) Velg de systemer, som du gjerne vil stille inn. Du kan administrere opptil 3 systemer.
- d) Land - Velg hvilket land systemet er installert i.
- e) GSM-telefonnummer - Tast inn telefonnummeret på SIM-kortet i GSM Dialer.
- f) GSM password - input GSM Dialer sikkerhet PIN. Du skal taste inn standard PIN-kode "1234" den første gangen du åpner denne enheten. En "edit" knapp vises når du har oppgitt din adgangskode. Trykk på knappen "Rediger" og tast inn en personlig 4-sifret PIN-kode.
- g) Programmer telefonnumre som du ønsker GSM Dialer skal ringe når ditt system alarmerer. GSM Dialer kan ringe opptil 8 telefonnumre etter hverandre.

- h) Endelig skal du velge innstilt syklus. Du kan velge opptil 8 sykluser - standard er 3. Det er det antallet ganger du ønsker at din GSM Dialer skal forsøke å ringe hvert telefonnummer.
- i) Når du har bekreftet ovenstående setup informasjon ved å trykke på denne knappen, vil du motta en bekreftelse på SMS av ovenstående innstillinger fra din GSM Dialer etter et par sekunder.
- j) Du vil nå være i stand til å styre innstillingene med hjelp av iPhone/Smartphone.

* Alle autoriserte brukere skal benytte det samme passord etter at dette ble tastet inn. Hvis du glemmer det, hold RESET for å gjenopprette GSM Dialer med fabrikkinnstillinger. Hvis flere Smartphones benyttes samtidig vil den sistes innstillinger bli anvendt.

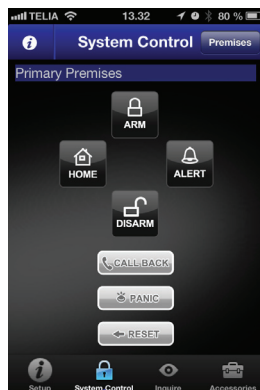
6. Styling av ditt system med hjelp av iPhone/ Smartphone App

Systemkontroll side

Hver instruksjon sendes som en SMS-melding via app'en. En SMS-bekreftelse svarende til hver instruksjon vil bli sendt som svar. For en detaljert beskrivelse av tastene trykkes det på »« i øverste venstre hjørne.

Oppsettside /Inquire Page

- Du kan kontrollere innstillingene for din GSM Dialer og påse at alt er i orden ved å trykke CHECK SETUP på oppsettsiden (Inquire). En SMS som sendes til deg vil oppgi opptil 8 telefonnumre, anropt syklus samt strømstatus på Smart Panel.
- Etter hver CHECK SETUP kommando vil den tilknyttede enhet gå i HOME-tilstand som gjør det mulig å kombinere tilstandene ARM og ALERT i aktuelle soner. Du kan få behov for å sende en kommando om ARM, ALERT eller DISARM til ditt system etter en CHECK SETUP.



Aktivering av alarm

Hvis en kontakt brytes vil det bli sendt melding til #1 på listen om at et sensorbrudd er registrert. Hvis strømmen frakobles vil #1 tilsvarende motta melding. Ved aktivering av alarm vil GSM Dialer sende en SMS-melding etterfulgt av et anrop til de to første mottakerne. Når en mottaker besvarer oppringningen vil de høre opptaket, og vil deretter være i stand til å lytte til rommet vha. mikrofonen. Hvis ingen besvarer GSM Dialer-anrop fortsettes med det programmerte antallet sykluser. Systemet deaktiveres ved å sende en SMS gjennom app'en eller ved å avbryte alle strømkilder til GSM Dialer.

7. Styring af ditt system med SMS fra mobiltelefoner

Som et alternativ, hvis du ikke kan eller ønsker å bruke Smartphone app, kan GSM Dialer styres av presise SMS-instruksjoner. Disse er oppført nedenfor

WS210 GSM Dialer SMS Definisjoner		PWD = 4 Digit PIN			
		Mobil til GSM Dialer	[SEND] SMS Eksempel	GSM til Mobil SMS (bekræftelse)	[MODTAG] SMS Eksempel
Innstilling kommandoer	Programmer telefonnummeret	[PWD](SETTEL)(PRESET#)(Tel no)	1234SETTEL (space) 8 (space) + (Tel no);	#TEL NO. HAS BEEN PROGRAMMED TO (tel no)	#8TEL NO. HAS BEEN PROGRAMMED TO +45 45565758
	Slett telefonnummeret	[PWD](SETTEL)(PRESET#)	1234SETTEL (space) 8	#TEL NO. HAS BEEN ERASED	#8 TEL NO. HAS BEEN ERASED
	Programmer antallet sykluser	[PWD](SETCYC)(number of cycle)	1234SETCYC (space) 9	PROGRAMMED # DIALING CYCLE	PROGRAMMED 9 DIALING CYCLE
	Programmer navnet på enheten	[PWD](PREMSES)-(Name)	1234PREMSES [HUSBAND CELL]	PREMSES NAME HAS BEEN SET TO HUSBANDS CELL	PREMISES NAME HAS BEEN SET TO HUSBANDS CELL
	Programmer nytt passord	[PWD](SETPW)(new password)	1234SETPWD (space) 5678	PASSWORD HAS BEEN CHANGED	PASSWORD HAS BEEN CHANGED
	Bemerkninger:		Ikke aktuelt		
Kontrollkommandoer	System reset til fabrikkinnstillinger	[PWD]RESET	1234RESET	SYSTEM HAS BEEN RESET	SYSTEM HAS BEEN RESET
	Still systemet i STANDBY mode	[PWD]DISARM	1234DISARM	SYSTEM HAS BEEN DISARMED	SYSTEM HAS BEEN DISARMED
	Still inn systemet iARM mode	[PWD]ARM	1234ARM	SYSTEM HAS BEEN ARMED	SYSTEM HAS BEEN ARMED
	Still systemet i HOME mode	[PWD]HOME	1234HOME	SYSTEM HAS BEEN SET TO HOME MODE	SYSTEM HAS BEEN SET TO HOME MODE
	Still systemet i ALERT mode	[PWD]ALERT	1234ALERT	SYSTEM HAS BEEN SET TO ALERT MODE	SYSTEM HAS BEEN SET TO ALERT MODE
	Still systemet i PANIC mode	[PWD]PANIC	1234PANIC	SYSTEM HAS BEEN SET TO PANIC MODE	SYSTEM HAS BEEN SET TO PANIC MODE
Overblik	Vis Systemets innstillinger	[PWD]INQUIRY	1234INQUIRY	(name): TEL 1: TEL NO#LF TEL 2: TEL NO#LF TEL 3: TEL NO#LF TEL 8: TEL NO#LF CYCLE: NUMBER OF DIALING CYCLE LF	LILLY HOME: TEL 1: +45 123456 TEL 2: +45 121212 TEL 3: +45 131314 TEL 4: TEL 5: TEL 6: TEL 7: TEL 8: CYCLE: 9
	Få systemet til å ringe tilbake for å avlytte rommet	[PWD]CALL	1234CALL	No SMS - System will call back the number directly	Not applicable
Melding om hendelser	System alarm	Ikke relevant	Ikke relevant	SYSTEM TRIGGERED & GSM will call back the programmed tel. no. directly	SYSTEM TRIGGERED
	Strøm tilkoblet	Ikke relevant	Ikke relevant	SYSTEM AC POWER ON	SYSTEM AC POWER ON
	Avbrutt strømforsyning	Ikke relevant	Ikke relevant	SYSTEM AC POWER LOST	SYSTEM AC POWER LOST
	Lavt batterinivå	Ikke relevant	Ikke relevant	SYSTEM BACKUP BATTERY LOW	SYSTEM BACKUP BATTERY LOW

8. Vedlikehold

Regelmessig vedlikehold og tilsyn anbefales. For å sikre at alle komponenter har optimal yteevne bør du teste dem regelmessig og skifte ut batteriene med passende mellomrom (typisk holdbarhet er 1 år).

9. Generell informasjon

GSM Dialer muliggjør kontroll med hensyn til fjernadministrasjon av SafeHome Alarm system.

SafeHome arbeider med å utvide sitt sortiment av sensoriske enheter og utvikler stadig nye produkter, til sikring av hjemmets verdier. For mer informasjon om andre SafeHome produkter kan du besøke vår hjemmeside på www.safehome.dk

10. Spørsmål og svar

Hva hvis jeg har glemt mitt passord?

Hvis du glemmer adgangskoden til GSM Dialer blir du kanskje nødt til å nullstille GSM Dialer slik at enheten er i stand til å få en ny adgangskode.

For å nullstille adgangskoden (til 1234) holdes RESET-knappen nede i 5 sekunder. Du blir nødt til å opprette en ny adgangskode via app-innstilling eller SMS.

Hva er den trådløse rekkevidden? Hva med vegger og andre signalhindringer?

I et åpent rom er rekkevidden opptil 100 meter. Vi foreslår, at du tester systemet før fastleggelsen, slik at optimal plassering kan oppnås.

Kan systemet demonteres og installeres på ny?

SafeHome Alarm systemer er designet slik at de skal være lette å installere, demontere og flytte.

Kan signalet bli forstyrret?

SafeHome produkter bruker en bestemt frekvens. Der kan være snakk om en falsk aktivering av naboer, som også bruker SafeHome produkter, men ditt system kan modifiseres til å eliminere disse ved å endre huskode.

Hvor kan jeg kjøpe andre SafeHome Alarmsystemer og sensorer?

Kontakt oss gjerne, så vil vi henvise deg til din nærmeste forhandler.

Se evt. også på www.safehome.dk.

11. Problemløsning

Lydopptak er dårlige

Sørg for å snakke tydelig i mikrofonen, og påse at det er minimal bakgrunnsstøy.

AC Strømsvikt

Kontroller alle forbindelser og sjekk om ditt strømnnett stadig er i drift. Backup batteri kan holde enheten aktiv i ytterligere opptil 6 timer.

Batterisvikt hos system

Dersom et backup-batteri er i ferd med å bli tappet for strøm vil batteri LED-lyset (1) blinke. Backup-batterier bør skiftes ut så snart dette skjer.

Sensorfeil

Kontroller, at huskoden er identisk hos alle systemets enheter.



Ansvarsfraskrivelse

SafeHome ApS tar forbehold om evt. feil og mangler i ethvert henseende. Produktet skal ikke betjenes av barn eller personer, som ikke kan forventes å ha adekvate psykiske eller fysiske forutsetninger til å betjene det korrekt. Betjening skal alltid støttes av en kompetent voksen bruker. Produktet er ikke et leketøy, og skal aldri benyttes slik. Evt. rettelser vil bli foretatt uten ytterligere varsel.

Vi fraskriver oss ethvert ansvar for feil, uhell, plager og ulykker som oppstår i forbindelse med bruk av SafeHome Trådløs GSM Dialer WS-210

For support og ytterligere informasjon: www.safehome.dk